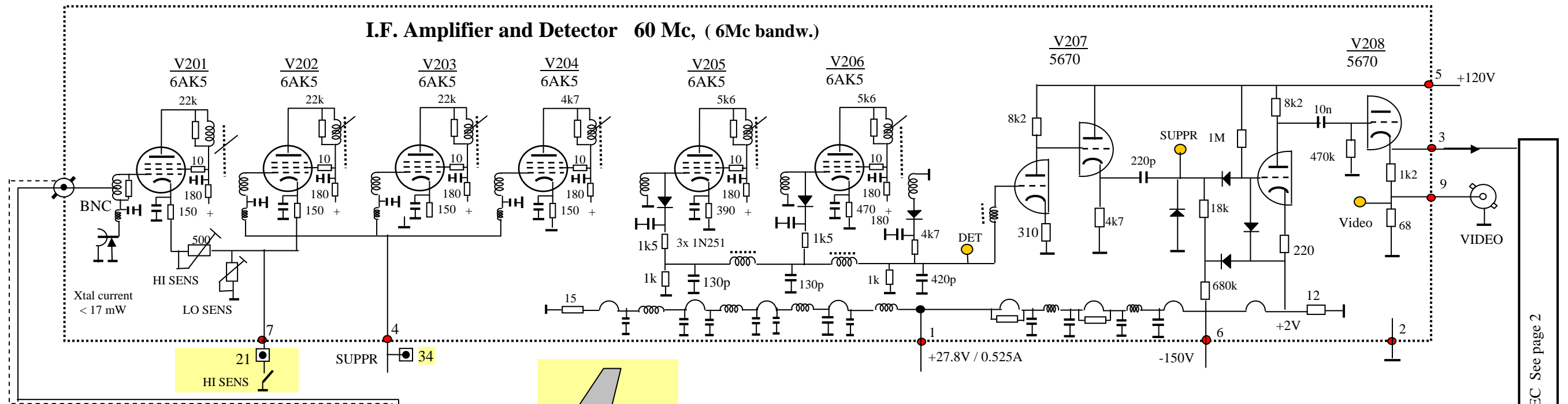
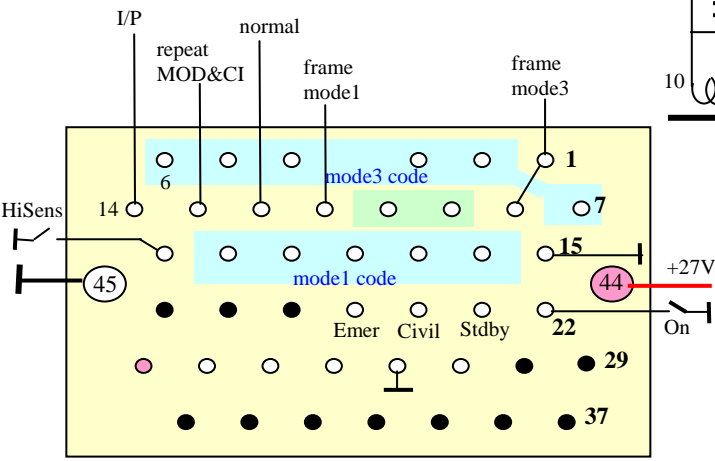
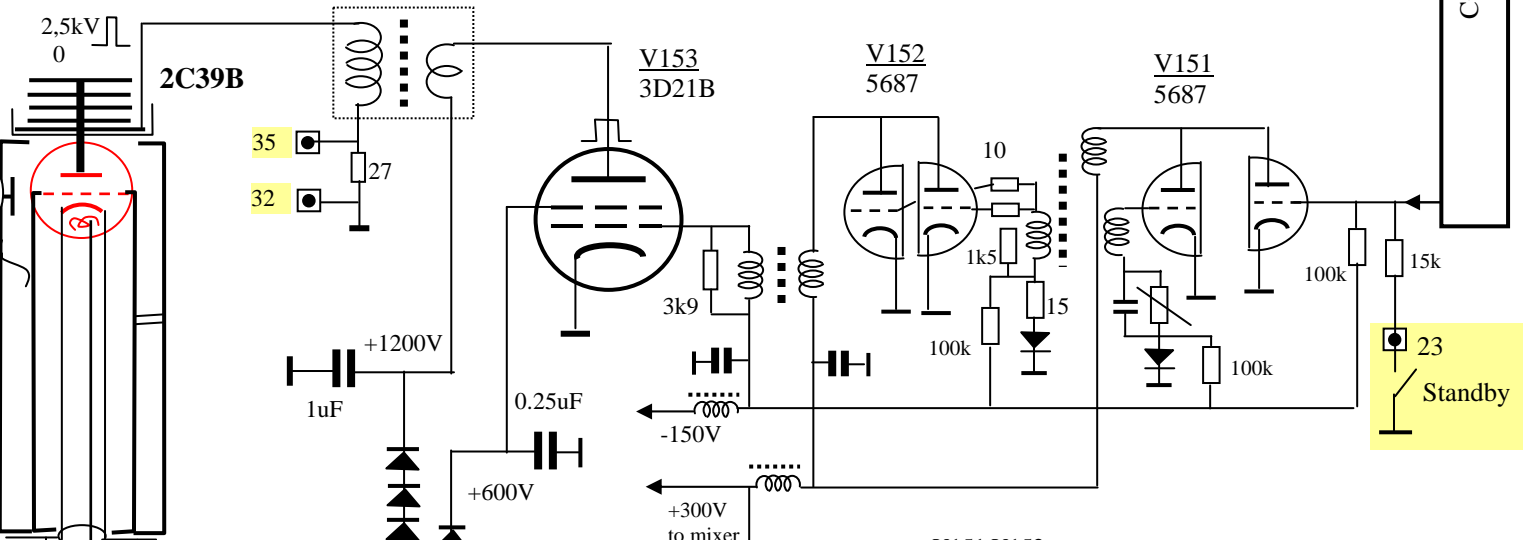
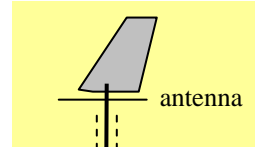
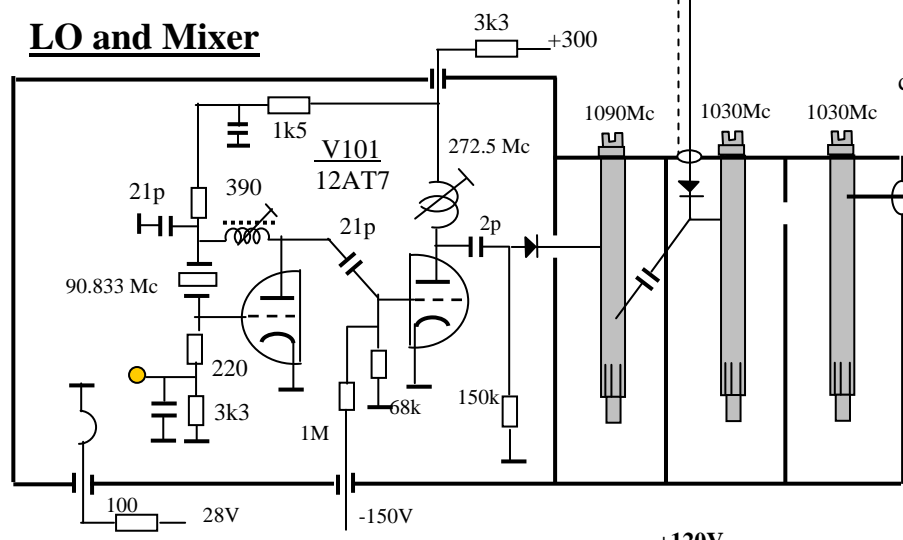


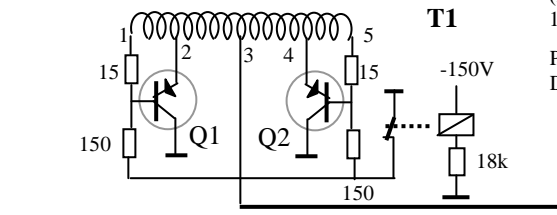
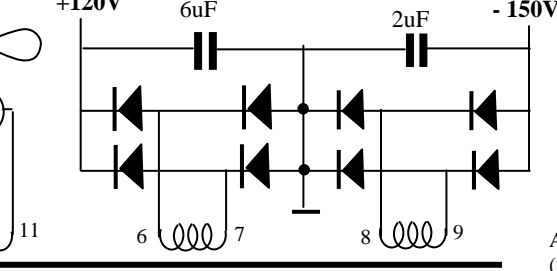
### I.F. Amplifier and Detector 60 Mc, (6Mc bandw.)



### LO and Mixer



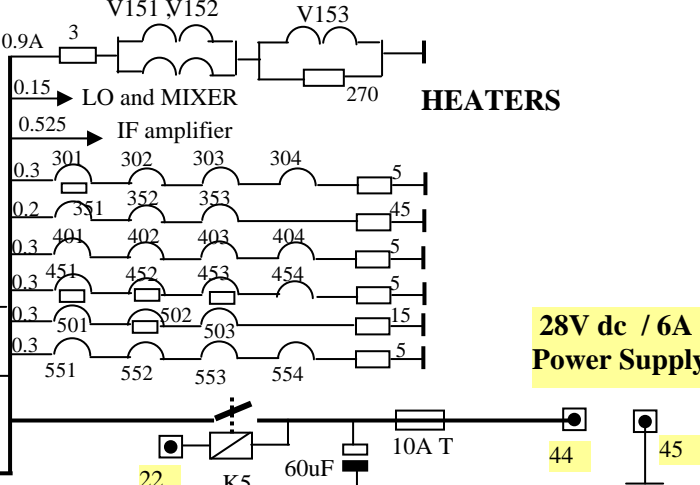
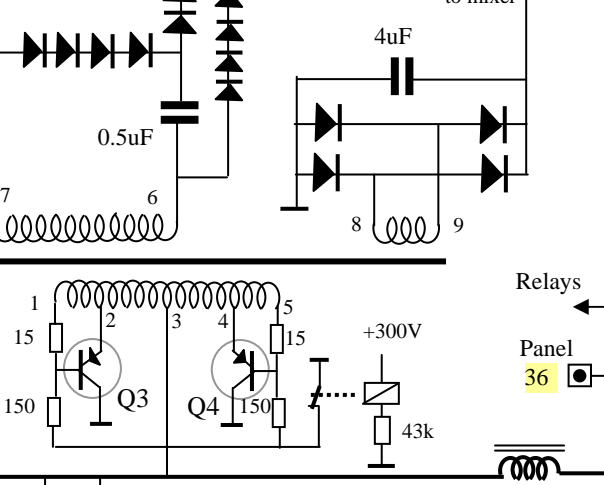
● not connected  
○ switched to ground  
● pins on main plug at rear of box  
● +27V, do not ground!



T1	T2
1-2 5 turns AWG12 0.03Ω	1-2 5 turns AWG12 0.03Ω
2-3 120 turns AWG12 0.26Ω	2-3 120 turns AWG12 0.26Ω
3-4 120 turns AWG12 0.26Ω	3-4 120 turns AWG12 0.26Ω
4-5 5 turns AWG12 0.03Ω	4-5 5 turns AWG12 0.03Ω
6-7 300 turns AWG27 4.2 Ω	6-7 1440 turns AWG31 51 Ω
8-9 360 turns AWG27 5.5 Ω	8-9 745 turns AWG30 23 Ω
10-11 275 turns AWG27 4.0 Ω	10-11 24 turns AWG22 0.14 Ω

All diodes (24 x) are 1N 540  
PNP transistors DELCO 420

T1	T2
1-2 5 turns AWG12 0.03Ω	1-2 5 turns AWG12 0.03Ω
2-3 120 turns AWG12 0.26Ω	2-3 120 turns AWG12 0.26Ω
3-4 120 turns AWG12 0.26Ω	3-4 120 turns AWG12 0.26Ω
4-5 5 turns AWG12 0.03Ω	4-5 5 turns AWG12 0.03Ω
6-7 300 turns AWG27 4.2 Ω	6-7 1440 turns AWG31 51 Ω
8-9 360 turns AWG27 5.5 Ω	8-9 745 turns AWG30 23 Ω
10-11 275 turns AWG27 4.0 Ω	10-11 24 turns AWG22 0.14 Ω



**RT494 / APX44 RF modules**  
7-7- 2007

CODEC See page 2