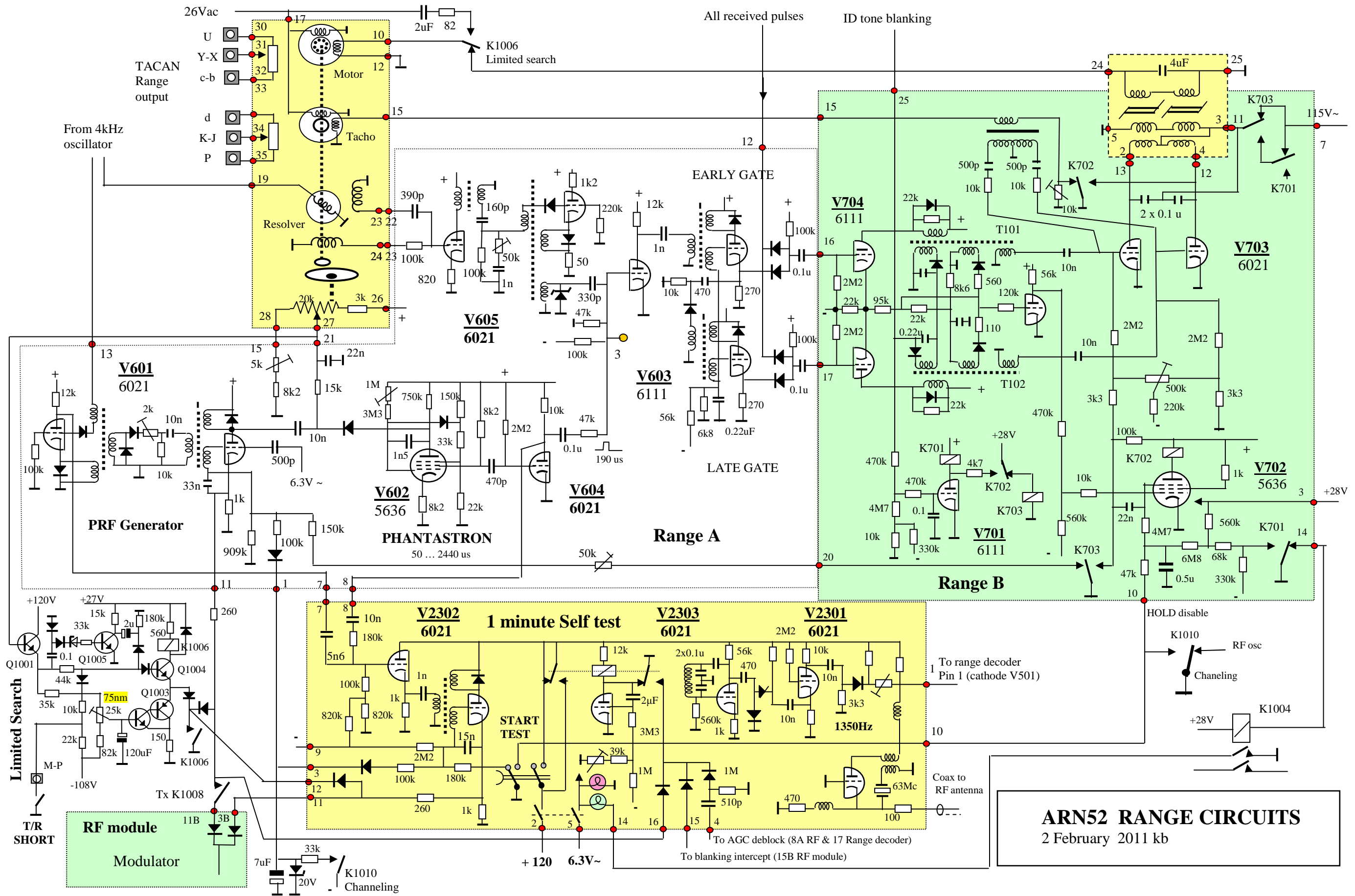


For more information, see page 2



ARN52 RANGE CIRCUITS
2 February 2011 kb