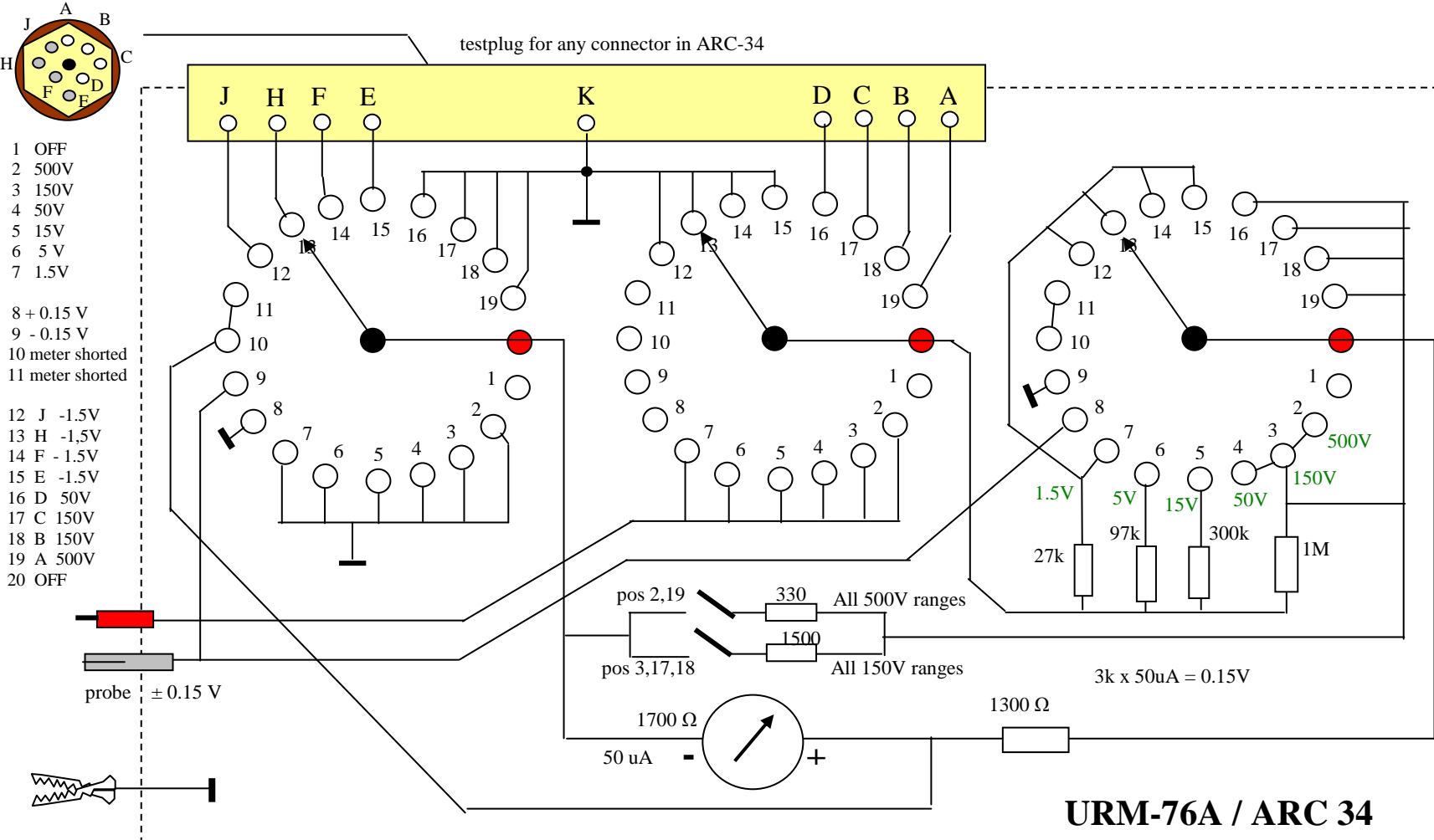


ARC34 Radio Testset



LEGEND

- R - RECEIVE ONLY
- GR - GUARD RECEIVE ONLY
- T - TRANSMIT ONLY

TEST SET-AN/URM-76A

TEST METER SWITCH POSITION			A	B	C	D	E	F	H	J	HIGH IMP (-)	HIGH IMP (+)
METER FULL SCALE RANGE			+500 VOLTS	+150 VOLTS	+150 VOLTS	+50 VOLTS	-1.5 VOLTS	-1.5 VOLTS	-1.5 VOLTS	-1.5 VOLTS	-0.15 VOLTS	+0.15 VOLTS
TEST JACK NO.	LOCATION	COLOR CODE	NINE-PIN TEST PLUG (P1845) CONNECTED TO ONE OF TEST JACKS LISTED IN LEFT-HAND COLUMN								USE SPECIAL TEST PROBE (P1846) ON EXTERNAL TEST POINTS CONNECT ALLIGATOR CLIP (P1848) TO GROUND	
J151	MD-198/ ARC-34	BROWN	+325 V. TO +365 V.	+315 V. X TO M +345 V. I (500 V. T SCALE) T	+300 V. M TO O +335 V. D (500 V. T SCALE) T	+26 V. TO +27.5 V. PRI. POWER						
J352	R-568/ ARC-34	RED	+115 V. TO +130 V. GD. REC. GR	+115 V. TO +130 V.	+115 V. TO +130 V. REC. R	+26 V. TO +27.5 V. PRI. POWER	-2 TO -5 VOLT 2nd INJ. OSC.					
J453	MX-1489/ ARC-34	ORANGE	+325 V. TO +365 V. PERM- ISSIVE	+115 V. TO +130 V.	+125 V. TO +131 V. REG.	+26 V. TO +27.5 V. PRI. POWER	-3 TO -6 VOLT 4th OSC. GRID	-4 TO -7 VOLT 3rd OSC. GRID	-3 TO -7.5 VOLT 2nd OSC. GRID	-5 TO -1.4 VOLT 1st OSC. GRID	J462. -15 VOLTS DISCR. TEST (-15 V. SCALE)	J463. +5.5 TO +6.5 DISCR. OUTPUT (15 V. SCALE)
J544	AM-868/ ARC-34 (EXCITER #1)	YELLOW		+110 V. TO +125 V.	+128 V. TO +132 V. REG.		-6 TO -1.0 VOLT SIDESTEP OSC. GRID T		-9 TO -1.3 VOLT 2nd DBLR GRID	-5 TO -1.0 VOLT 1st DBLR GRID		
J555	AM-868/ ARC-34 (EXCITER #2)	GREEN	+225 V. TO +290 V.	+280 V. X TO M +325 V. I (500 V. T SCALE) T	+112 V. X TO M +128 V. I (500 V. T SCALE) T	+26 V. TO +27.5 V. PRI. POWER			-6 TO -1.4 VOLT 2nd AMPL. GRID T	-1 TO -8 VOLT 1st AMPL. GRID T		
J656	AM-868/ ARC-34 (RECEIVER)	BLUE			+115 V. TO +130 V. REC. R	+26 V. TO +27.5 V. PRI. POWER			-3 TO -1.5 VOLT REC. MIX. GRID R	-5 TO -1.5 VOLTS REC. MULT. GRID		J634 IPA 1st 18 TO 50 MA (50 MA SCALE) T
J637	AM-868/ ARC-34 (TRANSMITTER)	PURPLE	+305 V. X TO M +325 V. I T	+300 V. M TO O +335 V. D (500 V. T SCALE) T	6.3 V. TRIPLER HEATER	+26 V. TO +27.5 V. PRI. POWER	-2 TO -1.0 VOLT P. A. V604 GRID T	-2 TO -1.0 VOLT P. A. V603 GRID T	-2 TO -8 VOLT IPA GRID T	-6 TO -1.5 VOLTS TRIPLER GRID T		J635 PA 1st 55 TO 100 MA (150 MA SCALE) T
J758	R-567/ ARC-34	GREY			+115 V. TO +130 V. GD. GR	+26 V. TO +27.5 V. PRI. POWER	-15 TO -5 GD. REC. MIX. GRID GR	-2 TO -5 GD. REC. MULT. GR				J636. 1.0 TO 5.0 V. SIDETONE BIAS (15 V. SCALE) T
J1059	C-1256/ ARC-34	WHITE	+325 V. TO +360 V.	+200 V. TO +240 V. PERM- ISSIVE (500 V. SCALE)	+128 V. TO +132 V. REG.	+26 V. TO +27.5 V. PRI. POWER						

TEST METER MAY BE USED AS CONVENTIONAL VOLTMETER. RED TEST PROBE (P1847) IS POSITIVE SIDE OF METER AND ALLIGATOR CLIP (P1848) IS NEGATIVE SIDE. SCALES AVAILABLE ARE 500 VOLTS, 150 VOLTS AND 50 VOLTS AT ONE MEGOHM INPUT, 15 VOLTS AT 0.3 MEGOHMS INPUT, AND 1.5 VOLTS AT 30K OHMS INPUT.